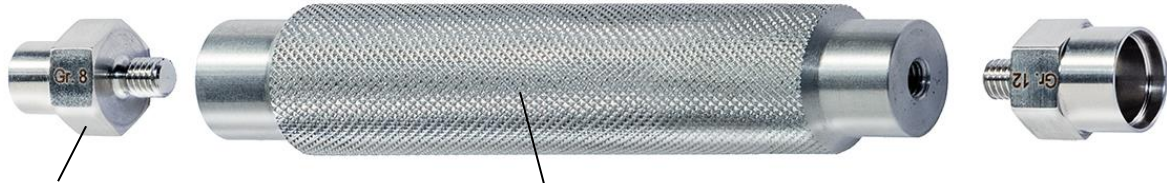


Assembly aid AC 870

We offer the mounting aid AC 870 in our portfolio of accessories. This aid supports the installation of plastic compression ferrules on adjustable unions with a shaft. It consists of an aluminum handle and stainless steel inserts for each connection size, which can be mounted on the left or right. The components can be ordered individually.



Inserts

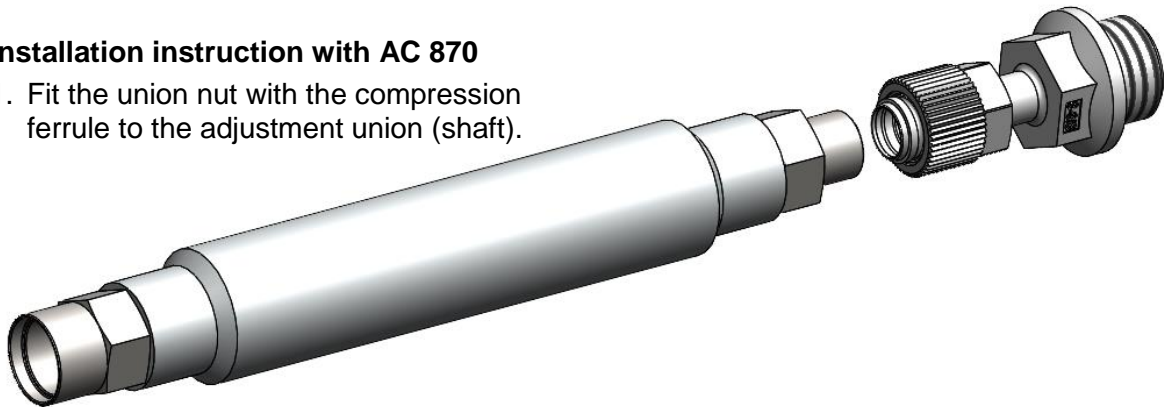
AC 870-6	988.8700.060
AC 870-8	988.8700.080
AC 870-10	988.8700.100
AC 870-12	988.8700.120
AC 870-16	988.8700.160

Handle

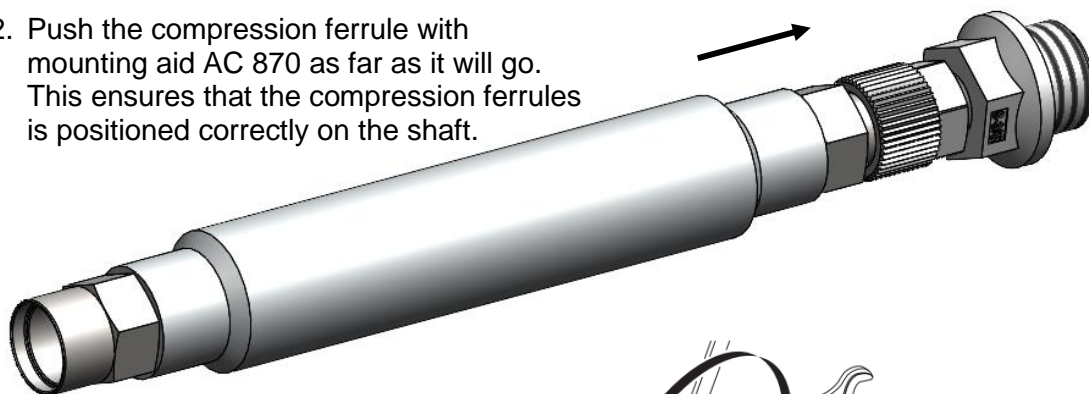
AC 870-0	988.8700.000
----------	--------------

Installation instruction with AC 870

1. Fit the union nut with the compression ferrule to the adjustment union (shaft).



2. Push the compression ferrule with mounting aid AC 870 as far as it will go. This ensures that the compression ferrules is positioned correctly on the shaft.



3. Tighten the union nut approx. $1\frac{3}{4}$ rotations with an openend spanner. Hold the nipples in place with a second openend spanner.

